

CRES-W1355

4.9kg



Product Information

Creepers Seat including Tool Tray

Product Specs

Adjustable Creepers Seat

4 Wheels

Maximum Weight: 113.4 kgs

Shipping Weight: 4.9kg

Safety Information

1. Read, study and follow all instructions before assembling or operating this device.
2. The owner and/or operator shall be aware that the use of this product may require special skills and knowledge.
3. DO NOT EXCEED MAXIMUM CAPACITY OF 250lbs (113.4 kgs).
4. DO NOT stand on the seat.
5. This seat is designed for use on hard, level surfaces capable of sustaining the load.
6. Alterations shall not be made to this product because of the dangers associated to the misuse of this product.
7. If seat is not operating properly, or parts are loose, missing, or broken, stop use of seat immediately.
8. Seat's fabric will burn. Exercise care when used near open flame, lit cigarettes, cigars, etc.
9. Failure to heed these warnings may result in personal injury and/or property damage.
10. Inspect before each use.
11. If you suspect that the product was subjected to a shock load (a load suddenly dropped unexpectedly upon it), immediately discontinue use until product has been checked by a factory authorized service center (contact distributor or manufacturer for list of Authorized Service Centers).
12. It is recommended that an annual inspection be done by qualified personnel.

Operating Instructions

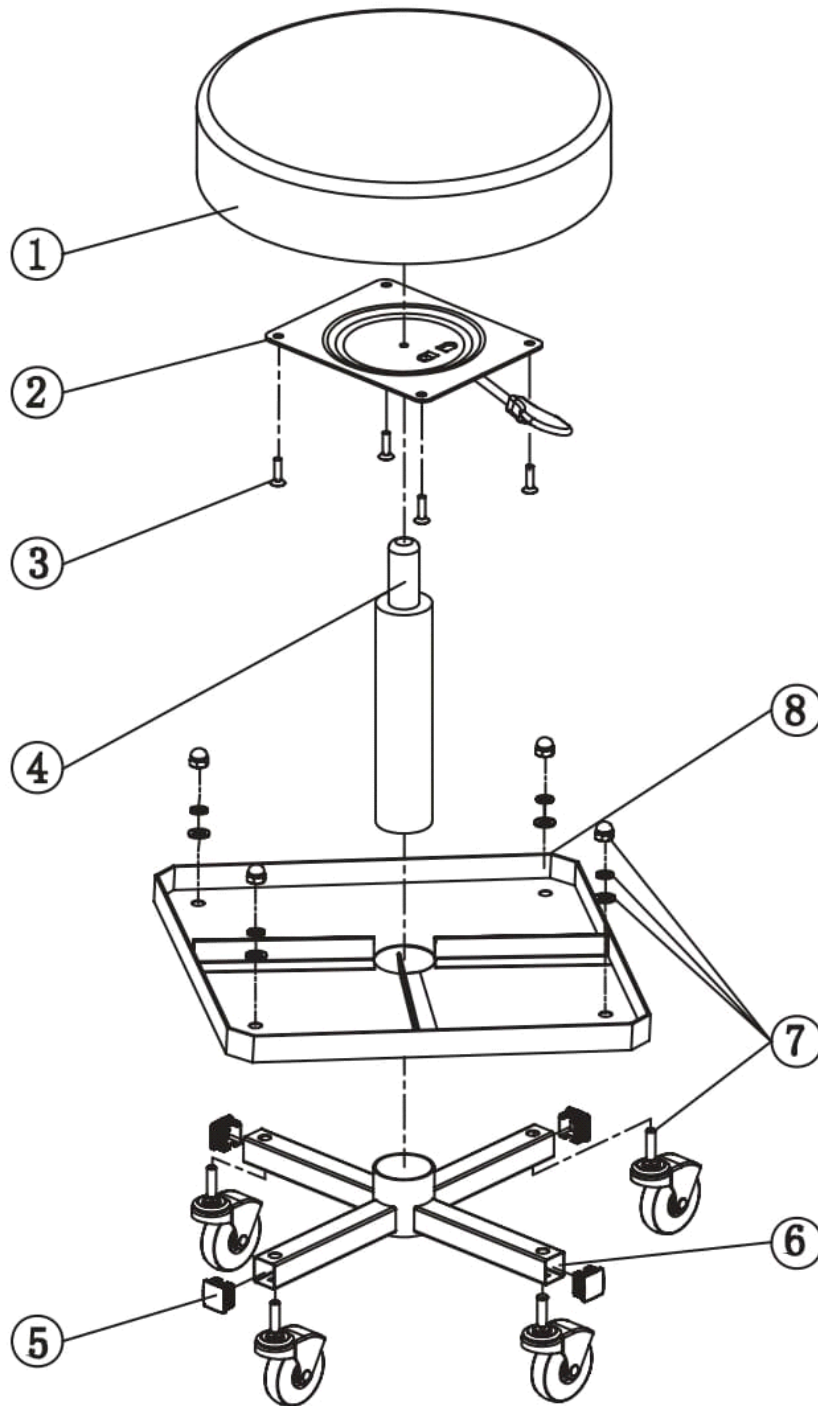
1. Inspect the product carefully before each use. Ensure the product is not damaged, excessively worn, or missing parts.
2. Do not use the product unless it is properly lubricated.
3. Using a product that is not in good clean working condition or properly lubricated may cause serious injury.
4. Inspect the work area before each use. Make sure it is free and clear of any potential hazards.

Warranty Information

All Wayco Equipment products are covered by a 12-month warranty. In the event of a fault, Wayco Equipment will arrange for the repair or replacement of the product, at its discretion. This warranty will be void if the product is repaired, dismantled, or altered without prior authorization from Wayco Equipment. A valid proof of purchase is required to process any warranty

Last Updated: 22/01/2025

For more information visit hobeca.co.nz



Assembly Parts

Item	Code	Description	Qty
1		Sea Assembly	1
2		Seat Base with Lever	1
3		Counter-sunk Phillips Machine Screw M6x20mm	4
4		Pneumatic Cylinder	1
5		Plastic End Cap	4
6		Metal Frame Base	1
7		Caster Assembly	4
8		Plastic Tool Tray	1

INSPECTION

- Inspect the product carefully before each use. Ensure the product is not damaged, excessively worn, or missing parts.
- Do not use the product unless it is properly lubricated.
- Using a product that is not in good clean working condition or properly lubricated may cause serious injury.
- Inspect the work area before each use. Make sure it is free and clear of any potential hazards.

SAFETY

BEFORE PERFORMING ANY WORK ON A VEHICLE OR USING THIS PRODUCT:

Always use Jack Stands!

DO NOT USE wood blocks or any other non-approved load sustaining devices.

DO NOT USE wood blocks or any other non-approved lifting devices for a means of lifting with a jack and or load being raised. Failure to heed these warnings may cause injury or death.

⚠ WARNING!

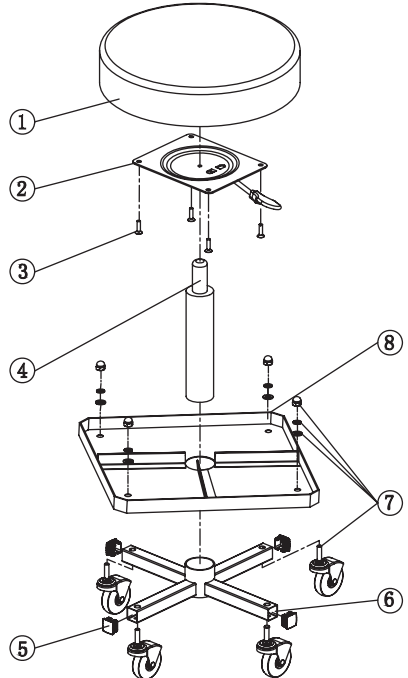
1. Read, study and follow all instructions before assembling or operating this device.
2. The owner and/or operator shall be aware that the use of this product may require special skills and knowledge.
3. DO NOT EXCEED MAXIMUM CAPACITY OF 250lbs (113.4 kgs).
4. DO NOT stand on the seat.
5. This seat is designed for use on hard, level surfaces capable of sustaining the load.
6. Alterations shall not be made to this product because of the dangers associated to the misuse of this product.
7. If seat is not operating properly, or parts are loose, missing, or broken, stop use of seat immediately.
8. Seat's fabric will burn. Exercise care when used near open flame, lit cigarettes, cigars, etc.
9. Failure to heed these warnings may result in personal injury and/or property damage.
10. Inspect before each use.
11. If you suspect that the product was subjected to a shock load (a load suddenly dropped unexpectedly upon it), immediately discontinue use until product has been checked by a factory authorized service center (contact distributor or manufacturer for list of Authorized Service Centers).
12. It is recommended that an annual inspection be done by qualified personnel.

ASSEMBLY INSTRUCTIONS

Safe Operating Temperature is between

40°F – 105°F (4°C - 41°C)

ITEM	DESCRIPTION	Q'TY
1	Seat Assembly	1
2	Seat Base with Lever	1
3	Counter-sunk Phillips Machine Screw M6x20mm	4
4	Pneumatic Cylinder	1
5	Plastic End Cap	4
6	Metal Frame Base	1
7	Caster Assembly	4
8	Plastic Tool Tray	1



Changshu Tongrun Auto Accessory Co.,Ltd
Add: New Long Teng Industrial Park, Changshu Economic
Development Zone, Jiangsu, China
Made in China